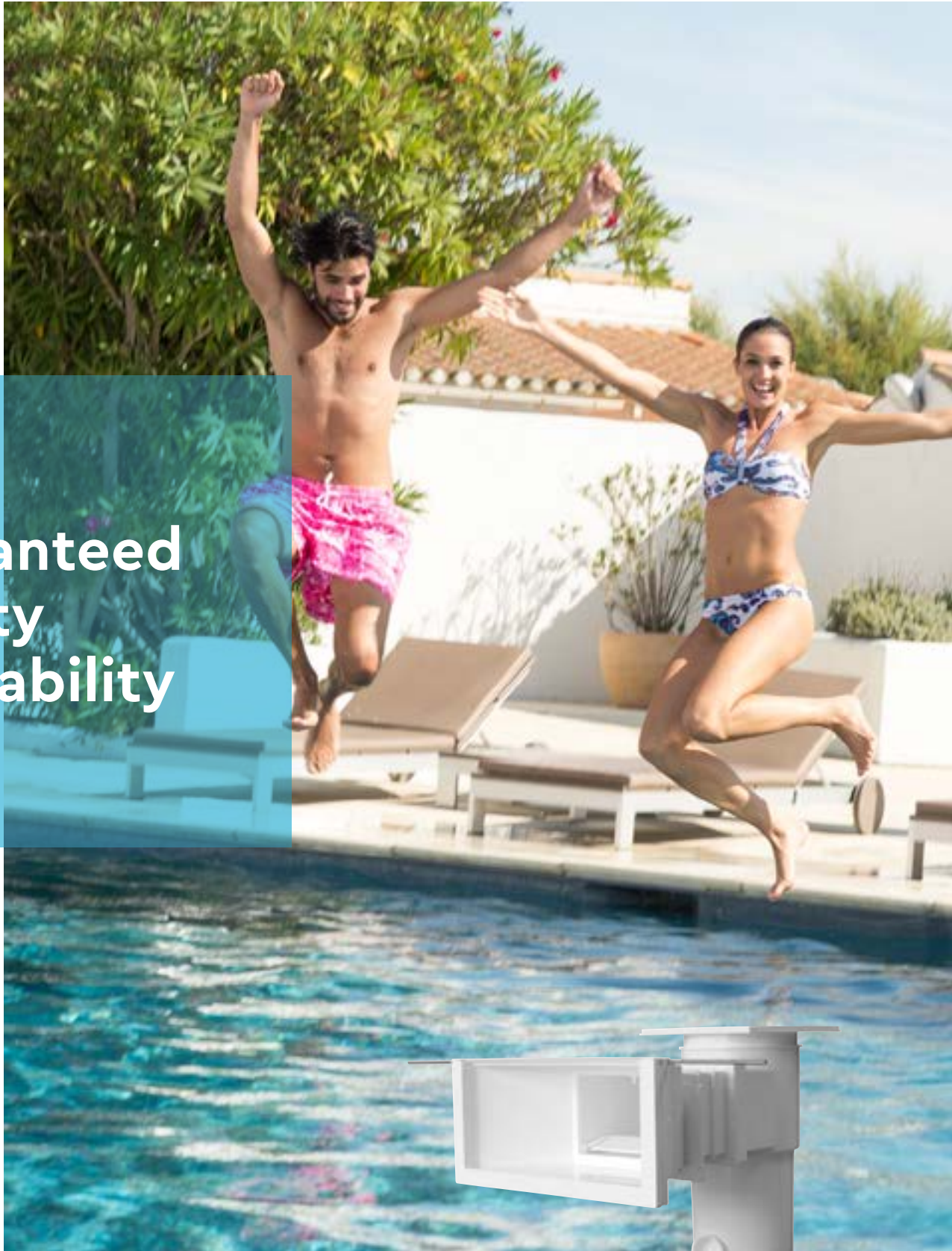


**Guaranteed
quality
& reliability**



BWT SKIMMERS

MADE IN FRANCE, SKIMMERS INCORPORATE THE LATEST TECHNOLOGICAL INNOVATIONS, QUALITY AND RELIABILITY ARE GUARANTEED

The range consists of 4 versions designed for liner pools, traditional reinforced concrete pools, panel pools and polyester shell pools

OUR SKIMMERS ARE MADE IN FRANCE

Our skimmers are manufactured by BWT, in its factory in Brittany, in northern France.

ABS gives skimmers a shiny, bright finish that is stable over time thanks to its anti-UV treatment, and does not react with pool chemicals under normal operating conditions. The skimmer body is always the same, irrespective of the skimmer version (concrete, liner, etc.). Skimmers are colour-matched to BWT's range of liners and reinforced membranes.

In the event that a conventional concrete pool equipped with skimmers begins to leak, a liner or 1.50 mm reinforced membrane can easily be fitted. All that is needed are the flange, gaskets and screws necessary to transform a Concrete skimmer into a Liner skimmer.

WORKSITE PROTECTIVE COVERS

The protective, self-adhesive worksite covers delivered with the skimmers protect the body and screw housings from damage and from being filled with mortar or cement while the pool is being built.

A SINGLE SCREW TYPE

All skimmer screws are the same, whatever the pool type, and are made of A4 stainless steel; it is easy to keep a stock on hand to satisfy after sales needs.

SELF-ADHESIVE SEALS

Masonry, liner, panel type pool fittings, are delivered with 2 self-adhesive elastomer seals that are very easy to install and that do not react with chemicals.

DELIVERED IN BOXES OF 2

By packing SL-119 (liner) and SB-118 (concrete) skimmers in boxes of two, the price of the skimmers is reduced by 10 %.



- Made of pool-grade, UV-stable ABS.
- Self-adhesive elastomer seals.
- Stainless steel screws, suited to every pool type.
- Protective, adhesive worksite covers.
- Available in a range of colours.
- Made in France.

*Guaranteed
quality and
reliability!*

THE SKIMMER

in detail!

1 PUSH AND TWIST LOCKING MECHANISM

- » The skimmer lid is equipped with a locking mechanism that prevents it from being opened accidentally. This is an effective way of protecting children.
- » The skimmer lid is housed in a telescopic frame so that the height can be adjusted to lie flush with the pool deck.

2 WIDE CHOICE OF DEPTHS

The modular design of the skimmer allows the length of the skimmer throat to be adjusted between 20 and 457 mm, so that it can be adapted to suit any configuration (pool coping, automatic cover pit, etc.).

3 CHOICE OF SKIMMER MOUTHS

Skimmers can be fitted with a standard skimmer mouth, or a wide skimmer mouth, depending on requirements.

4 FACE PLATE TRIM

A face plate clips onto the skimmers to hide the skimmer flange and screws.

5 WEIR DAMPER

The skimmer mouth is equipped with a bumper to lessen the noise made by the weir when the pool water is very agitated.

6 PRE-FIX COLLAR

Skimmers feature a pre-fix collar to enable mounting on prefabricated pool structures.

7 SELF-LOCKING SKIMMER BASKET

The basket is locked into place in the skimmer by means of a bayonet, push and twist locking mechanism. This prevents the basket from floating up when the filtration pump stops. The basket can be lined with a "Pool Bag" to improve particle retention.

8 LATERAL OUTLET

Allows a 63 mm PVC spacer to be fitted here between the skimmer and the pool wall to further stabilise the skimmer's seating.

9 FLOW REGULATOR

The body of the skimmer features a mobile flap to adjust the rate at which water is drawn into the skimmer.

10 BOTTOM OUTLET

This 2" tapped outlet accepts a threaded adaptor socket (2"x 63 or 2"x 50) to connect the skimmer to the filtration system. These adaptor sockets are cheaper than tapped sockets of the same dimensions. The 1"1/2 threading is used to install a gizmo (protects the skimmers against freezing).

11 50 MM OVERFLOW

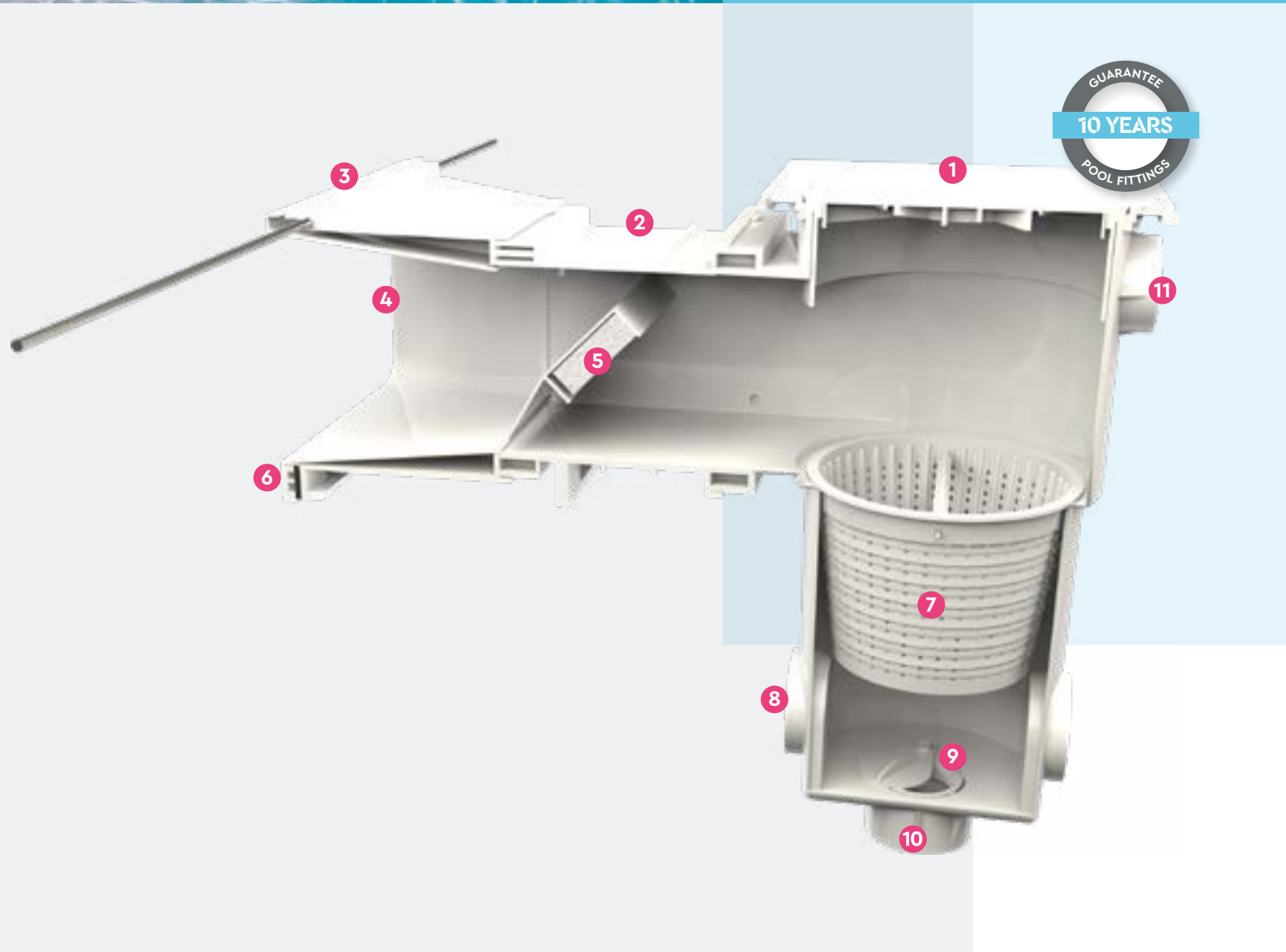
The overflow can be connected to waste with standard 50 mm PVC pipes used for filtration. Evacuates water very efficiently in the event of heavy rain.

The overflow is sealed by a disc that may be pierced at one of several circular indentations allowing the height of the overflow to be altered in 5 mm increments.



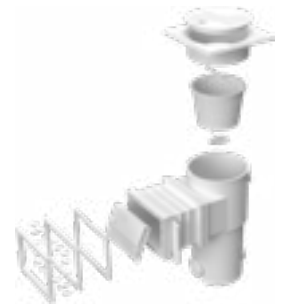
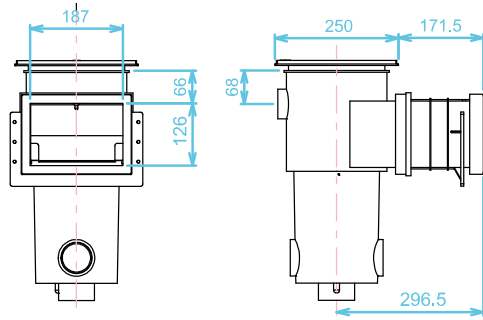
WONDERING HOW TO GIVE AN OLD POOL A NEW LEASE OF LIFE?

The colour renovation range offers a choice of trims that clip simply onto existing pool fittings to lift and relook any ageing pool : directional jets, main drain flange and grating, vacuum point caps, skimmer throat trims and face plates, underwater lights guts packs and face plates.



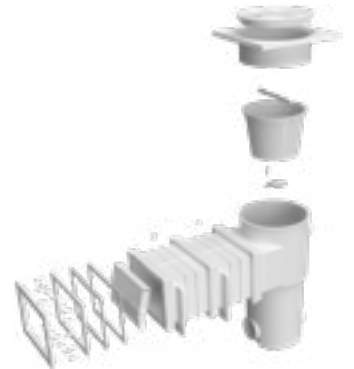
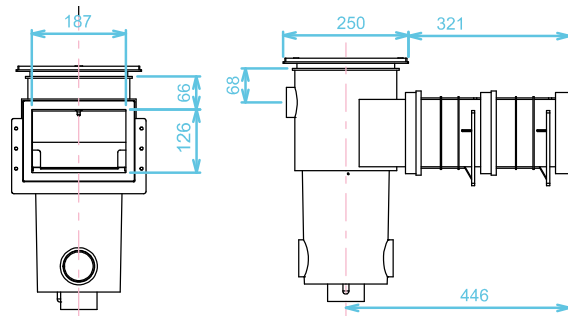
Skimmers

MASONRY/ LINER



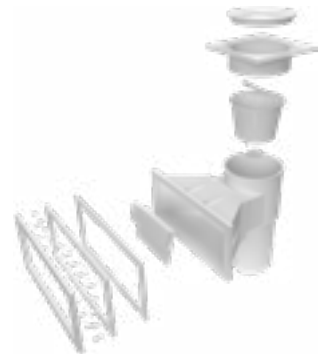
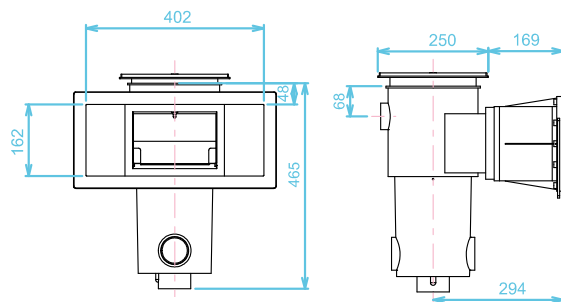
BWT SL-111-M

Code : 40031000 – Skimmer, masonry/ liner, small mouth, standard



BWT SL-115-M

Code : 40041000 – Skimmer, masonry/ liner, small mouth and extension throat

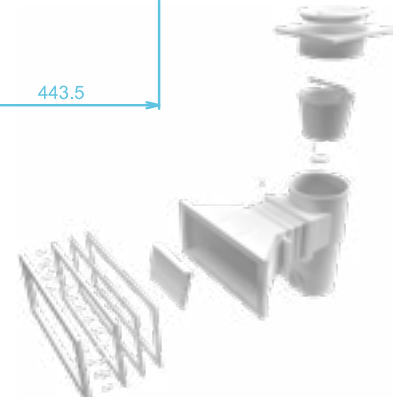
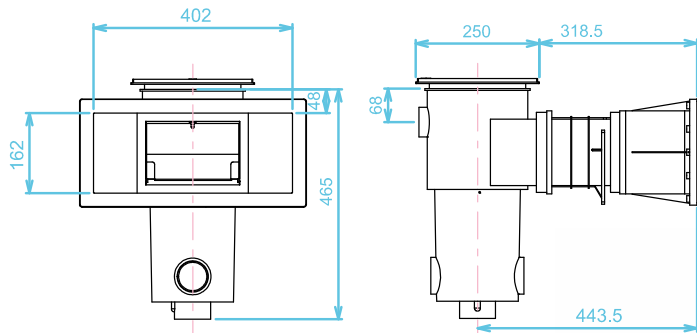


BWT SL-117-M

Code : 40051000 – Skimmer, masonry/ liner, wide mouth, standard

Skimmers

MASONRY/ LINER

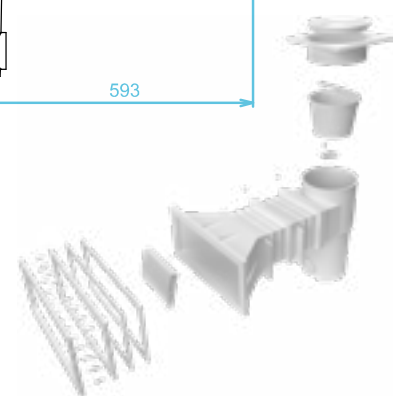
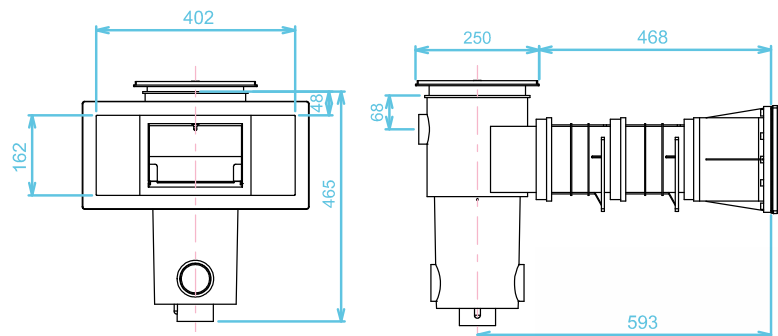


BWT SL-119-M

Code : 40061000

Skimmer, masonry/ liner,
wide mouth with extension
throat

White	40061000	SL-119-M-BL
Light blue	40061081	SL-119-M-BC
Dark blue	40061082	SL-119-M-BF
Beige	40061085	SL-119-M-SA
Grey	40061088	SL-119-M-GR
Anthracite grey	40061087	SL-119-M-GA
Black	40061089	SL-119-M-N



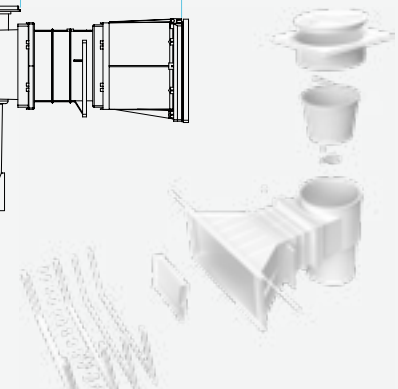
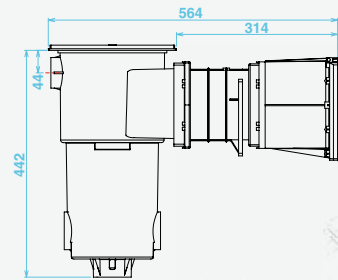
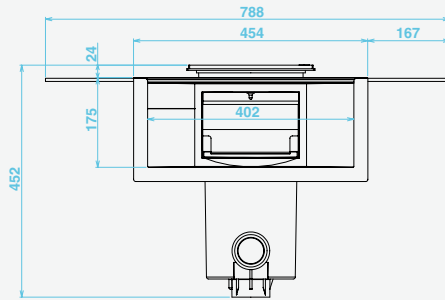
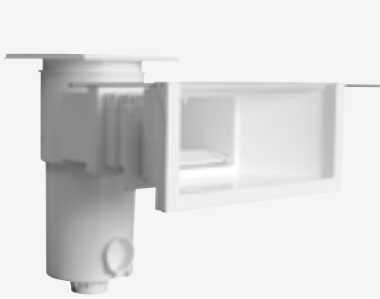
BWT SL-119-CA-M-2

Code : 40071200

Skimmer, masonry/ liner, wide
mouth with 2 extension throats
(automatic cover)

Skimmers

MASONRY/ LINER



BWT SL-119-M-MR

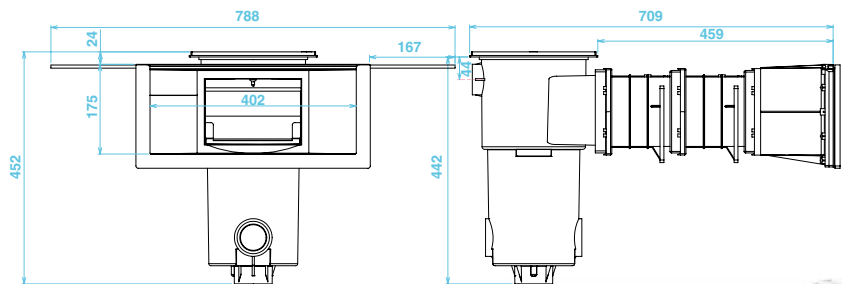
Code : 40067000

Mirror skimmer, masonry/ liner, wide mouth with extension throat

White	40067000	SL-119-MR-BL
Light blue	40067081	SL-119-MR-BC
Dark blue	40067082	SL-119-MR-BF
Beige	40067085	SL-119-MR-SA
Grey	40067088	SL-119-MR-GR
Anthracite grey	40067087	SL-119-MR-GA
Black	40067089	SL-119-MR-N



A bag of fibrous concrete and a welded mesh are included with each mirror skimmer + 1 treillis soudé



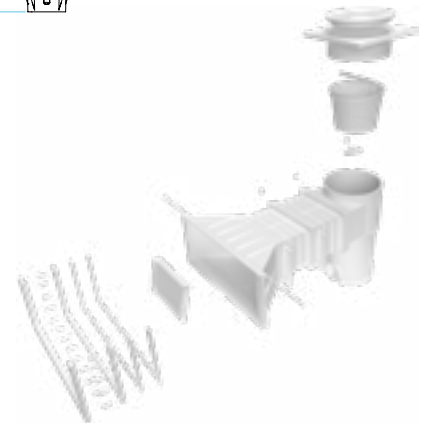
BWT SL-119-CA-M-MR-2

Code : 40077200

Mirror skimmer, masonry/ liner, wide mouth with 2 extension throats (automatic cover)



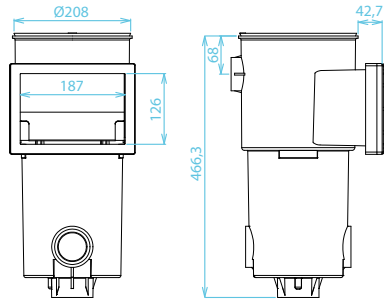
A bag of fibrous concrete and a welded mesh are included with each mirror skimmer





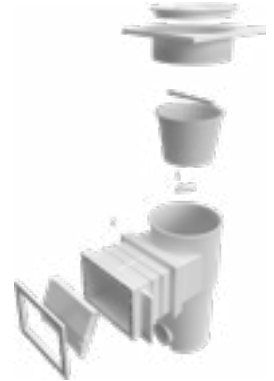
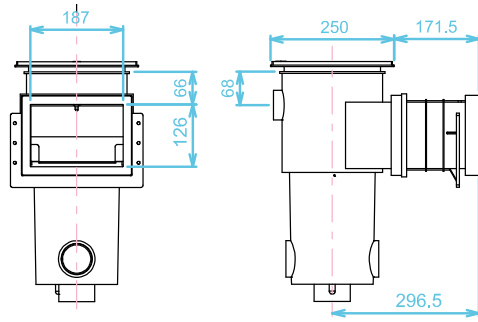
Skimmers

CONCRETE



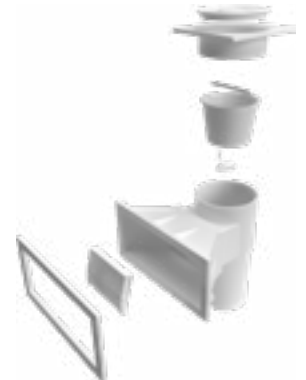
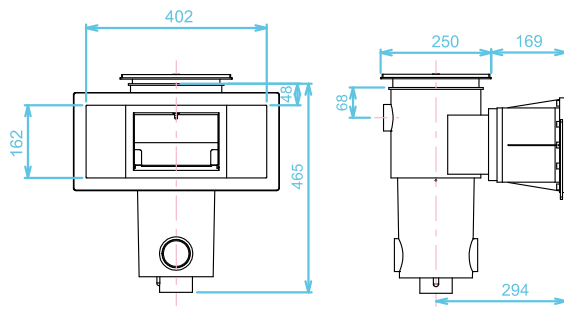
BWT SB-100

Code : 40620000 – Skimmer, concrete, small mouth, no extension throat



BWT SB-110-M

Code : 40031000 – Skimmer, concrete, small mouth, standard

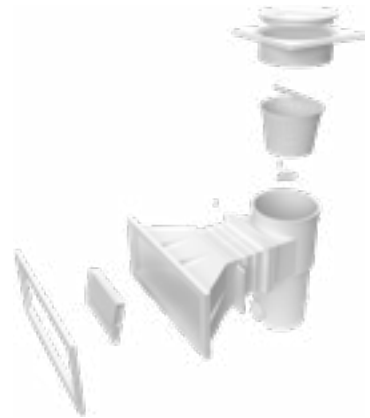
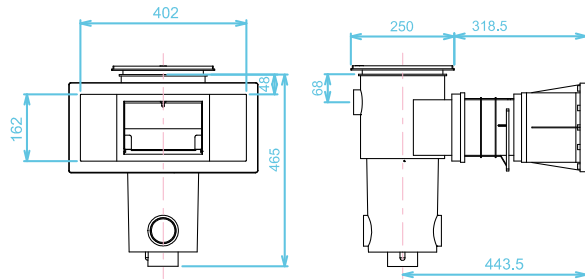


BWT SB-116-M

Code : 40051000 – Skimmer, concrete, wide mouth, standard

Skimmers

CONCRETE

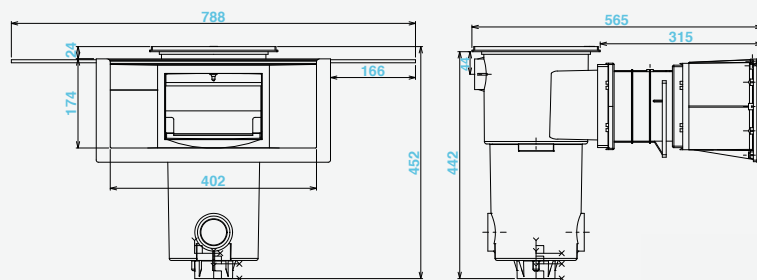


BWT SB-118-M

Code : 40061000

Skimmer, concrete, wide mouth with extension throat

White	40067000	SL-119-M-MR
Light blue	40067081	SL-119-M-BC
Dark blue	40067082	SL-119-M-BF
Beige	40067085	SL-119-M-SA
Grey	40067088	SL-119-M-GR
Anthracite grey	40067087	SL-119-M-GA
Black	40067089	SL-119-MR-N



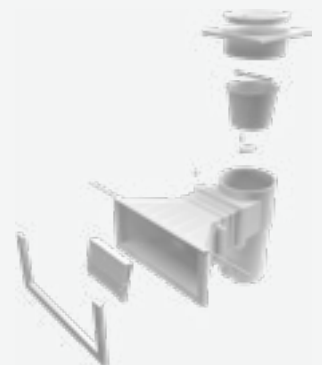
BWT SB-118-MR

Code : 40666000

Mirror skimmer, concrete, wide mouth with extension throat

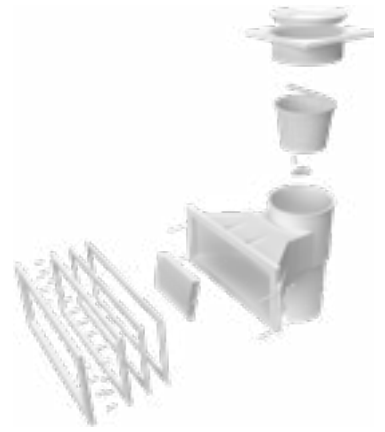
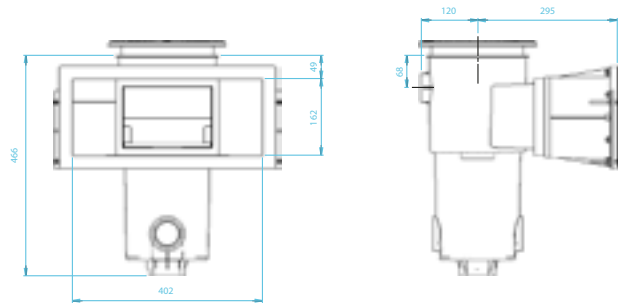


A bag of fibrous concrete and a welded mesh are included with each mirror skimmer



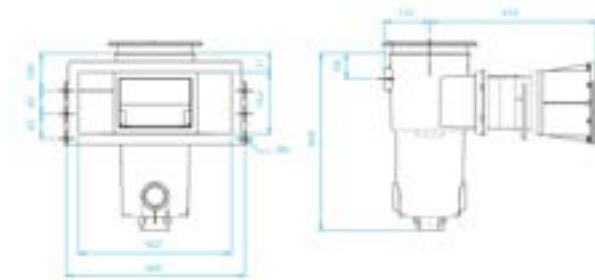
Skimmers

PANELS/ LINER



BWT SL-117-P

Code : 40251000 – Skimmer, panel/ liner, wide mouth, standard

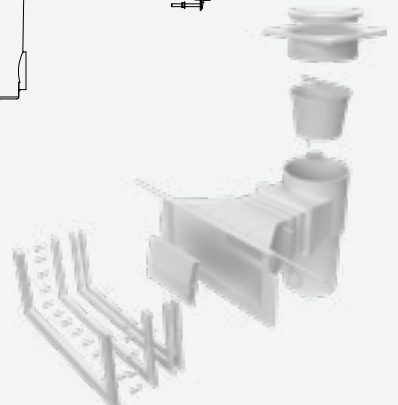
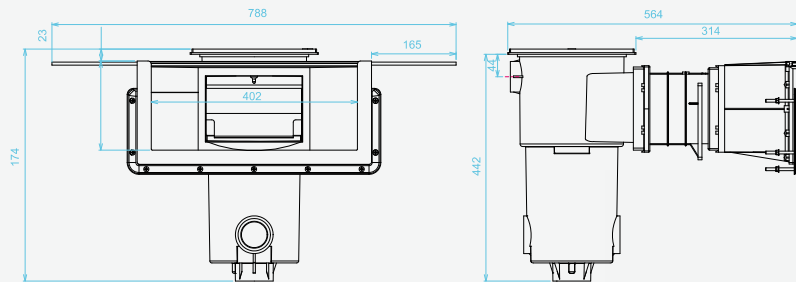


BWT SL-119-P

Code : 40261000

Skimmer panel/ liner,
wide mouth with extension
throat

White	40261000	SL-119-P-BL
Beige	40261085	SL-119-P-SA
Grey	40261088	SL-119-P-GR
Anthracite grey	40261087	SL-119-P-GA



BWT SL-119-P-MR

Code : 40267000

Mirror skimmer, panel/ liner,
wide mouth with extension
throat

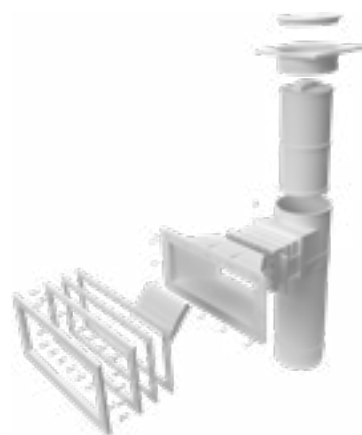
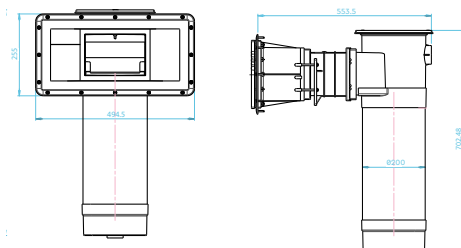


A bag of fibrous concrete and a
welded mesh are included
with each mirror skimmer

White	40267000	SL-119-P-MR-BL
Beige	40267085	SL-119-P-MR-SA
Grey	40267087	SL-119-P-MR-GR
Anthracite grey	40267089	SL-119-P-MR-GA

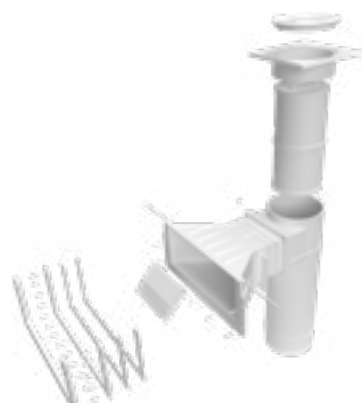
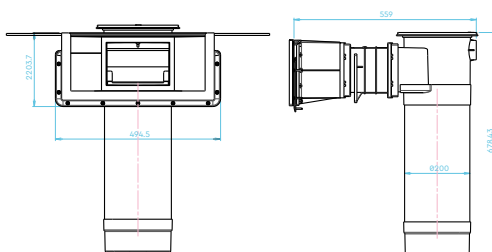
Skimmers

PANEL/ LINER



BWT P-GM

Code : 8452329 – Cartridge skimmer, P-GM, panel pools



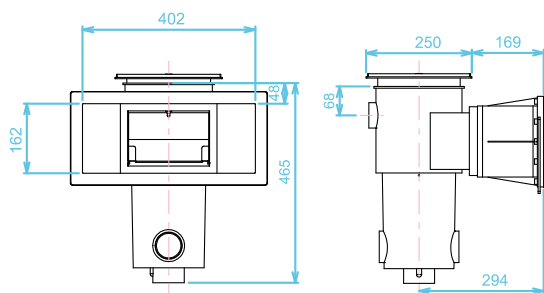
BWT P-GM MR

Code : 8452229 – Cartridge mirror skimmer, P-GM MR, panel pools



Skimmers

POLYESTER SHELL



BWT SL-117-C

Code : 40451000 – Skimmer, polyester shell, wide mouth



The skimmer descent must be connected to the bottom of the excavation with rigid pipework.

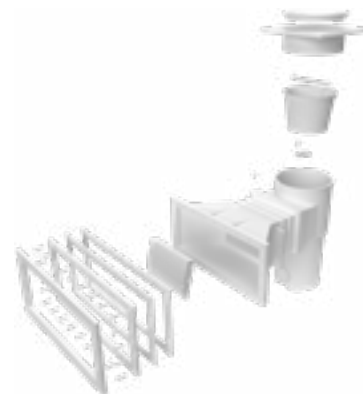
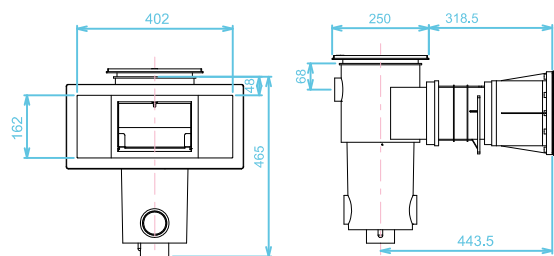
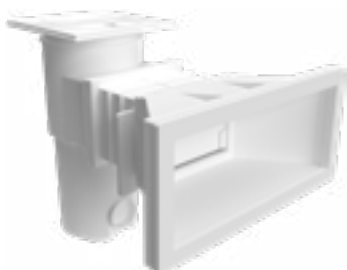
Skimmers

WITH INSERTS

BWT pool fittings with brass inserts are compatible with all types of pools: masonry/liner and concrete. In the case of a BWT 1.5 mm reinforced membrane, the membrane needs to be perforated with a 6 mm hole punch to accommodate the inserts.

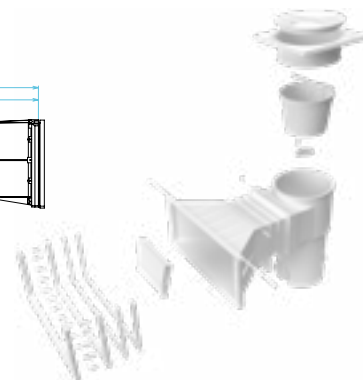
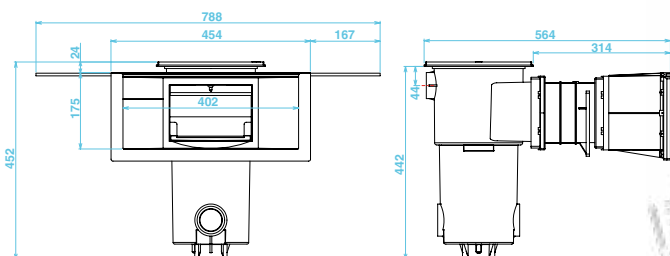
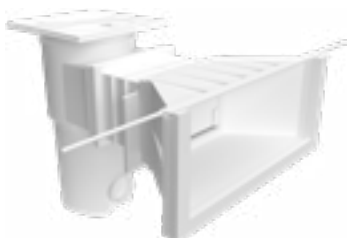


Gives a second life to old pool fittings by adding an insert.



BWT SL-119-Mi

Code : 40069000 – Skimmer, masonry/liner, wide mouth + extension throat, with insert



BWT SL-119-Mi-MR

Code : 40065000 – Mirror skimmer, masonry/liner, wide mouth + extensions throat, with insert

Accessories

SKIMMER

SKIMMER EXTENSION RING




Code: 40441010

POOL BAG MADE OF WASHABLE POLYESTER



Set of three
Code : 48001009

 The Pool Bag is a reusable pocket made of non woven polyester.

JET VAC SKIMMER



Fits into the skimmer basket

Code: 48001030

SYRINGE OF LIQUID ABS



To repair ABS pool fittings

Code : 48001013





Dealer's stamp:

